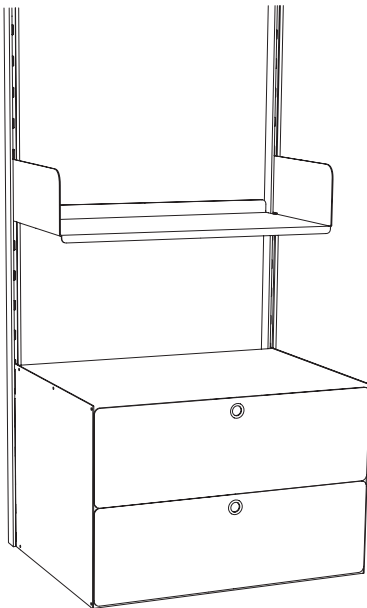


K1 WALL SYSTEM







K1 is a modular system composed of uprights, shelves and accessories. It allows to create bookshelves, office areas, wardrobe or displays. The large range of components, available in different dimensions, and the essential style of this system allow it to fit with any type of place.



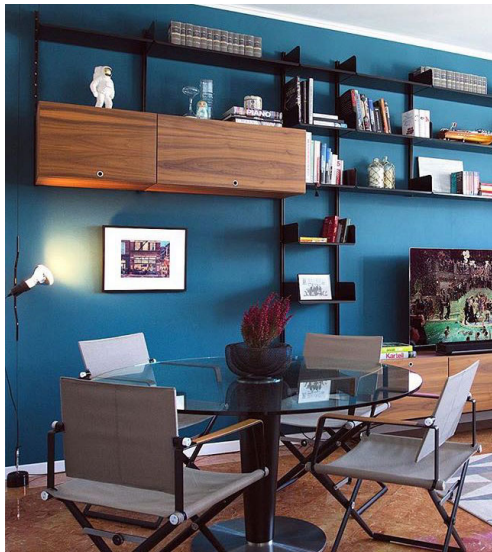
WORKING PRINCIPLE

This product works thanks to a rack system. Only the uprights are fixed to the wall while all other elements are hooked to the uprights without screws. These elements can be eventually moved.

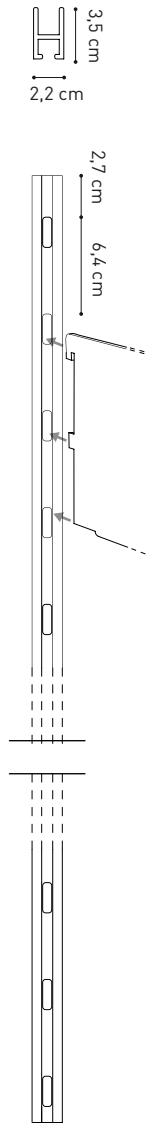
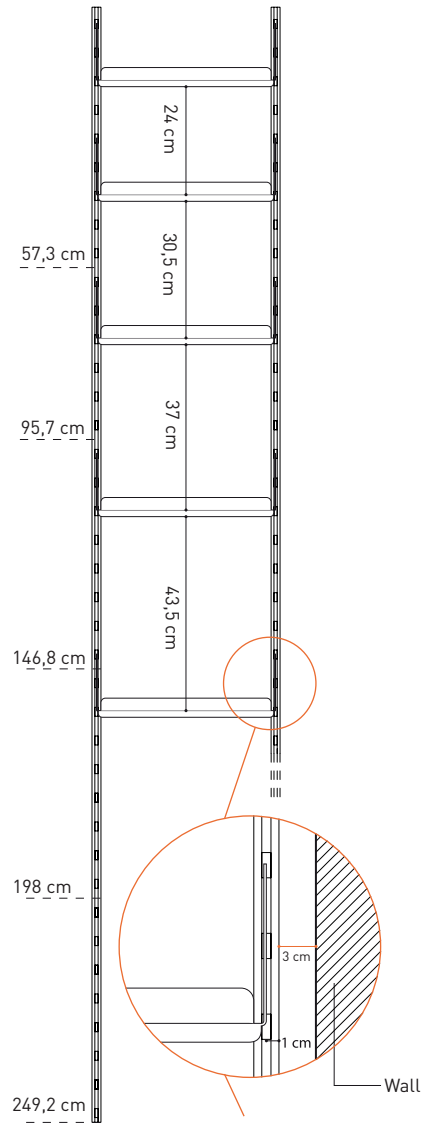
FINISHES

-  Anodised aluminium
-  Matte white RAL 9010
-  Matte black RAL 9005
-  Oak wood
-  Walnut wood
-  Matte white lacquered RAL 9010

On request, components can be custom-made or coated with a special RAL colour.



WALL UPRIGHTS



COMPATIBLE WALLS



CAPACITY
per span
250 kg

SPACE REQUIREMENTS

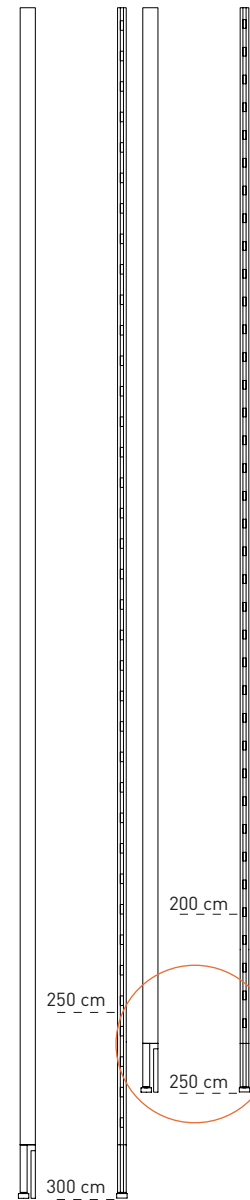
The whole unit's length is the sum of all the span's lengths + 2.2 cm (the width of both external uprights: 1.1 + 1.1 cm).

FIXING

Wall plugs $\varnothing 8$ mm / length 40 mm and screws $\varnothing 5$ mm / length 50 mm. Plugs and screws supplied for brick walls.

Always leave at least 3 cm between the lateral walls and the side uprights of the unit.

FLOOR UPRIGHTS



COMPATIBLE WALLS



CAPACITY
per span
250 kg

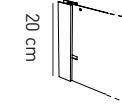
SPACE REQUIREMENTS

The whole unit's length is the sum of all the span's lengths + 2.2 cm (the width of both external uprights: 1.1 + 1.1 cm).

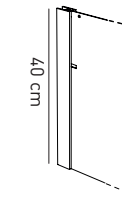
FIXING

Wall plugs $\varnothing 8$ mm / length 40 mm and screws $\varnothing 5$ mm / length 50 mm. Plugs and screws supplied for brick walls.

UPRIGHTS FOR CABINETS



Flush cut below



Flush cut above and below.

COMPATIBLE WALLS



CAPACITY
per span
250 kg

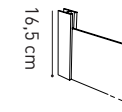
SPACE REQUIREMENTS

The whole unit's length is the sum of all the span's lengths + 2.2 cm (the width of both external uprights: 1.1 + 1.1 cm).

FIXING

These uprights can be fixed **only on bricks walls** (no plasterboard). Chemical anchor bolts are mandatory. In alternative, use the standard uprights.

UPRIGHTS FOR SINGLE SHELVES



Flush cut above and below.


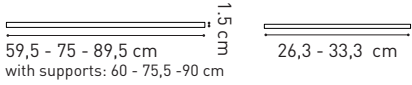
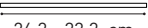


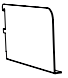
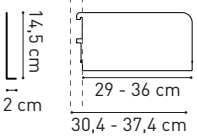

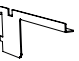
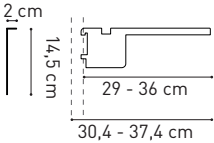

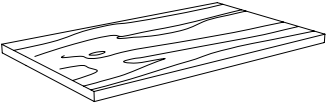
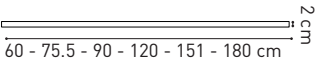
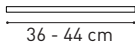


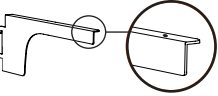
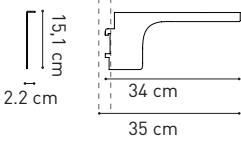

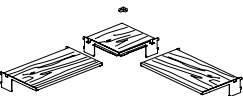
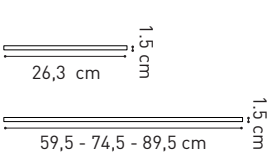
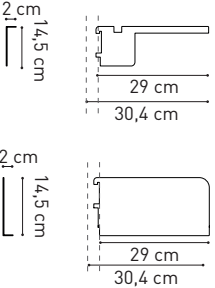


K1 ALUMINIUM SHELVES

STANDARD FINISHES



✂ Customised matte or glossy coating (RAL code) available. Contact the technical office.

COMPONENTS	MEASUREMENTS	ASSEMBLY	CAPACITY AND ALIGNMENT	CUSTOM-MADE	NOTES AND TIPS								
REGULAR SHELF 	 Wall to shelf distance: 1.4 cm	 Takes up 3 holes of the upright above the shelf.	 <table border="1"> <tr> <td>40 cm</td> <td>60 cm</td> <td>75 cm</td> <td>90 cm</td> </tr> <tr> <td>30 kg</td> <td>25 kg</td> <td>20 kg</td> <td>15 kg</td> </tr> </table> <p>Does not align in depth with the big wood panel and with the cabinets.</p>	40 cm	60 cm	75 cm	90 cm	30 kg	25 kg	20 kg	15 kg	 Dimensions max: 90x36 cm To order, contact the technical office.	Crea una superficie continua affiancando più ripiani.
40 cm	60 cm	75 cm	90 cm										
30 kg	25 kg	20 kg	15 kg										
INVERTED SHELF 	 Wall to shelf distance: 1.4 cm	 Takes up 3 holes of the upright under the shelf.	 <table border="1"> <tr> <td>40 cm</td> <td>60 cm</td> <td>75 cm</td> <td>90 cm</td> </tr> <tr> <td>30 kg</td> <td>25 kg</td> <td>20 kg</td> <td>15 kg</td> </tr> </table> <p>Does not align in depth with the big wood panel and with the cabinets.</p>	40 cm	60 cm	75 cm	90 cm	30 kg	25 kg	20 kg	15 kg	 Dimensions max: 90x36 cm To order, contact the technical office.	Create a continuous surface by putting inverted shelves side 
40 cm	60 cm	75 cm	90 cm										
30 kg	25 kg	20 kg	15 kg										
DEEP SHELF 	 Wall to shelf distance: 1.4 cmW *Only for 60 and 75.5 cm shelves.	 Takes up 2 holes of the upright under the shelf. *Only for 39 cm deep shelves	 <table border="1"> <tr> <td></td> <td>60 cm</td> <td>75 cm</td> <td>90 cm*</td> </tr> <tr> <td></td> <td>25 kg</td> <td>20 kg</td> <td>15 kg</td> </tr> </table> <p>Aligns in depth with the big wood panel and with the cabinets.</p>		60 cm	75 cm	90 cm*		25 kg	20 kg	15 kg	 Dimensions max: 90x36 cm To order, contact the technical office.	Create a continuous long surface or use this shelf as a desk or a TV support.
	60 cm	75 cm	90 cm*										
	25 kg	20 kg	15 kg										
HANGING RAIL SHELF 	 Wall to shelf distance: 1.4 cm	 Takes up 3 holes of the upright under the shelf.	 <table border="1"> <tr> <td>40 cm</td> <td>60 cm</td> <td>75 cm</td> <td>90 cm</td> </tr> <tr> <td>30 kg</td> <td>25 kg</td> <td>20 kg</td> <td>15 kg</td> </tr> </table> <p>Does not align in depth with the big wood panel and with the cabinets.</p>	40 cm	60 cm	75 cm	90 cm	30 kg	25 kg	20 kg	15 kg	 Dimensions max: 90x36 cm To order, contact the technical office.	The tube is slightly uncentred on the shelf's side. Can be centred on request.
40 cm	60 cm	75 cm	90 cm										
30 kg	25 kg	20 kg	15 kg										
INCLINED SHELF 	 Wall to shelf distance: 1.4 cm	 Takes up 2 holes of the upright under the shelf.	 <table border="1"> <tr> <td></td> <td>60 cm</td> <td>75 cm</td> </tr> <tr> <td></td> <td>25 kg</td> <td>20 kg</td> </tr> </table>		60 cm	75 cm		25 kg	20 kg	 Dimensions max: 90x36 cm To order, contact the technical office..	Can be used in a wardrobe as a shoes rack or as a lectern to display books in a bookshelf.		
	60 cm	75 cm											
	25 kg	20 kg											
CORNER SHELVES 	 Wall to shelf distance: 1.4 cm	 Takes up 2 holes of the upright above and 2 holes under the shelves.	 <table border="1"> <tr> <td></td> <td>60 cm</td> <td>75 cm</td> <td>90 cm</td> </tr> <tr> <td></td> <td>25 kg</td> <td>20 kg</td> <td>15 kg</td> </tr> </table>		60 cm	75 cm	90 cm		25 kg	20 kg	15 kg	 The corner shelves cannot be custom-made.	The angle of the walls must be perfectly 90° and the wall should not have any irregularities.
	60 cm	75 cm	90 cm										
	25 kg	20 kg	15 kg										

COMPONENT	MEASUREMENTS	ASSEMBLY	CAPACITY AND ALIGNMENTS	CUSTOM-MADE	NOTES AND TIPS								
SMALL WOOD PANEL 	 59,5 - 75 - 89,5 cm with supports: 60 - 75,5 - 90 cm Wall to shelf distance: 3.5 cm	 26,3 - 33,3 cm	 <table border="1"> <tr> <td>60 cm</td> <td>75 cm</td> <td>90 cm</td> </tr> <tr> <td>15 kg</td> <td>15 kg</td> <td>15 kg</td> </tr> </table> <p>75 and 90 cm shelves are reinforced with an inner double aluminium sheet.</p>	60 cm	75 cm	90 cm	15 kg	15 kg	15 kg	 Dimensions max: 90x36 cm To order, contact the technical office.	The small wood panel must be used with a pair of lateral or inferior metal supports.		
60 cm	75 cm	90 cm											
15 kg	15 kg	15 kg											
LATERAL METAL SUPPORTS 	 14,5 cm 1 cm 29 - 36 cm 30,4 - 37,4 cm Aligns in height and depth to the regular shelf.	 Takes up 2 holes of the upright above the panel.											
INFERIOR METAL SUPPORTS 	 2 cm 1 cm 14,5 cm 29 - 36 cm 30,4 - 37,4 cm Aligns in height and depth to the regular shelf and in height to the cabinets.	 Takes up 2 holes of the upright under the panel.											
LARGE WOOD PANEL 	 60 - 75.5 - 90 - 120 - 151 - 180 cm Wall to shelf distance: 3.5 cm	 36 - 44 cm	 <table border="1"> <tr> <td>60 cm</td> <td>75 cm</td> <td>90 cm</td> </tr> <tr> <td>25 kg</td> <td>20 kg</td> <td>15 kg</td> </tr> </table> <p>Aligns in height and depth to the deep shelf and to the cabinets.</p>	60 cm	75 cm	90 cm	25 kg	20 kg	15 kg	 Dimensions max: 180x44 cm To order, contact the technical office.	Create a long continuous surface and use this panel as a desk or as a TV support.		
60 cm	75 cm	90 cm											
25 kg	20 kg	15 kg											
PAIR OF METAL BRACKETS 	 15,1 cm 2,2 cm 34 cm 35 cm Holes for panel fixing	 Takes up 3 holes of the upright under the panel.			The large wood panel must be used with a pair of brackets per span.								
CORNER WOOD PANELS 	 26,3 cm 1,5 cm 59,5 - 74,5 - 89,5 cm Wall to shelf distance: 3.5 cm	 2 cm 14,5 cm 29 cm 30,4 cm 2 cm 14,5 cm 29 cm 30,4 cm Takes up 3 holes of the upright above the panels and 2 under the panels.	 <table border="1"> <tr> <td>Angle</td> <td>60 cm</td> <td>75 cm</td> <td>90 cm</td> </tr> <tr> <td>18 kg</td> <td>25 kg</td> <td>20 kg</td> <td>15 kg</td> </tr> </table>	Angle	60 cm	75 cm	90 cm	18 kg	25 kg	20 kg	15 kg	 The corner panels cannot be custom-made.	The angle of the walls must be perfectly 90° and the wall should not have any irregularities.
Angle	60 cm	75 cm	90 cm										
18 kg	25 kg	20 kg	15 kg										
Composed of three panels to order together	Wall to shelf distance: 3.5 cm												

K1 ALUMINIUM CABINETS

✂ Cabinets cannot be custom-made.

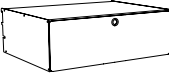
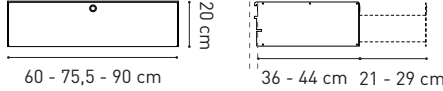
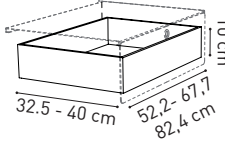
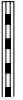


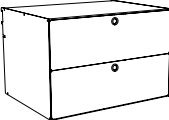
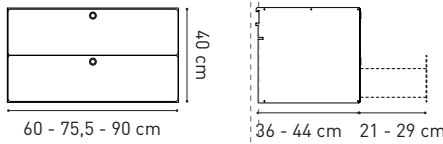
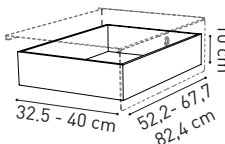



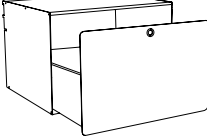
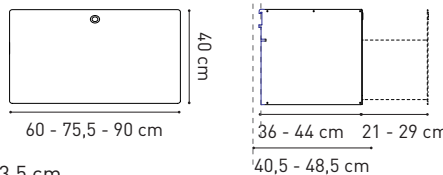
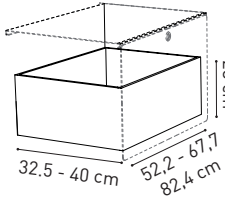



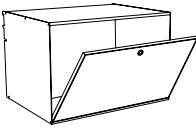
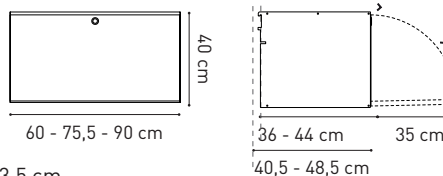
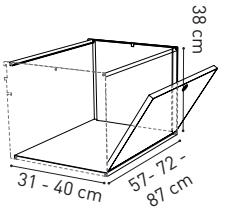



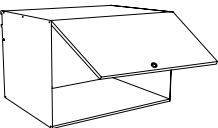
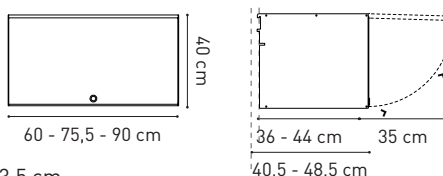
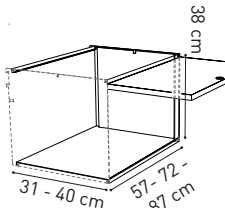



STANDARD FINISHES

Aluminium Anodised

Matte white RAL 9010

Matte black RAL 9005

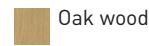
✂ Customised matte or glossy coating (RAL code) available. Contact the technical office.

COMPONENT	MEASUREMENTS	INNER DIMENSIONS	ASSEMBLY	CAPACITY	NOTES AND TIPS												
SINGLE DRAWER 	 60 - 75,5 - 90 cm 20 cm 36 - 44 cm 21 - 29 cm 40,5 - 48,5 cm	 32,5 - 40 cm 52,2 - 67,7 82,4 cm 10 cm	Birch plywood inner drawer.  Takes up 4 holes of the upright under the top of the cabinet.	 <table border="1"> <tr> <td>top 60 cm</td> <td>top 75 cm</td> <td>top 90 cm</td> </tr> <tr> <td>20 kg</td> <td>16 kg</td> <td>12 kg</td> </tr> <tr> <td colspan="3">inner drawer</td> </tr> <tr> <td colspan="3">25 kg</td> </tr> </table>	top 60 cm	top 75 cm	top 90 cm	20 kg	16 kg	12 kg	inner drawer			25 kg			A cable hole placed on the back of the cabinet is available on request. 
top 60 cm	top 75 cm	top 90 cm															
20 kg	16 kg	12 kg															
inner drawer																	
25 kg																	
DOUBLE DRAWER 	 60 - 75,5 - 90 cm 40 cm 36 - 44 cm 21 - 29 cm 40,5 - 48,5 cm	 32,5 - 40 cm 52,2 - 67,7 82,4 cm 10 cm	Birch plywood inner drawer.  Takes up 7 holes of the upright under the top of the cabinet.	 <table border="1"> <tr> <td>top 60 cm</td> <td>top 75 cm</td> <td>top 90 cm</td> </tr> <tr> <td>20 kg</td> <td>16 kg</td> <td>12 kg</td> </tr> <tr> <td colspan="3">inner drawer</td> </tr> <tr> <td colspan="3">25 kg</td> </tr> </table>	top 60 cm	top 75 cm	top 90 cm	20 kg	16 kg	12 kg	inner drawer			25 kg			A cable hole placed on the back of the cabinet is available on request. 
top 60 cm	top 75 cm	top 90 cm															
20 kg	16 kg	12 kg															
inner drawer																	
25 kg																	
BIG DRAWER 	 60 - 75,5 - 90 cm 40 cm 36 - 44 cm 21 - 29 cm 40,5 - 48,5 cm	 32,5 - 40 cm 52,2 - 67,7 82,4 cm 23 cm	Birch plywood inner drawer.  Takes up 7 holes of the upright under the top of the cabinet.	 <table border="1"> <tr> <td>top 60 cm</td> <td>top 75 cm</td> <td>top 90 cm</td> </tr> <tr> <td>20 kg</td> <td>16 kg</td> <td>12 kg</td> </tr> <tr> <td colspan="3">inner drawer</td> </tr> <tr> <td colspan="3">25 kg</td> </tr> </table>	top 60 cm	top 75 cm	top 90 cm	20 kg	16 kg	12 kg	inner drawer			25 kg			A cable hole placed on the back of the cabinet is available on request. 
top 60 cm	top 75 cm	top 90 cm															
20 kg	16 kg	12 kg															
inner drawer																	
25 kg																	
UNIT WITH TOP DOWN DOOR 	 60 - 75,5 - 90 cm 40 cm 36 - 44 cm 35 cm 40,5 - 48,5 cm	 31 - 40 cm 57 - 72 - 87 cm 38 cm	 Takes up 7 holes of the upright under the top of the cabinet.	 <table border="1"> <tr> <td>60 cm</td> <td>75 cm</td> <td>90 cm</td> </tr> <tr> <td>20 kg</td> <td>16 kg</td> <td>12 kg</td> </tr> </table>	60 cm	75 cm	90 cm	20 kg	16 kg	12 kg	A cable hole placed on the back of the cabinet is available on request. 						
60 cm	75 cm	90 cm															
20 kg	16 kg	12 kg															
UNIT WITH BOTTOM UP DOOR 	 60 - 75,5 - 90 cm 40 cm 36 - 44 cm 35 cm 40,5 - 48,5 cm	 31 - 40 cm 57 - 72 - 87 cm 38 cm	 Takes up 7 holes of the upright under the top of the cabinet.	 <table border="1"> <tr> <td>60 cm</td> <td>75 cm</td> <td>90 cm</td> </tr> <tr> <td>20 kg</td> <td>16 kg</td> <td>12 kg</td> </tr> </table>	60 cm	75 cm	90 cm	20 kg	16 kg	12 kg	A cable hole placed on the back of the cabinet is available on request. 						
60 cm	75 cm	90 cm															
20 kg	16 kg	12 kg															

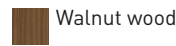
K1 WOOD CABINETS

✂ Cabinets cannot be custom-made.

STANDARD FINISHES



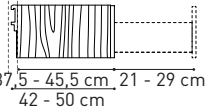
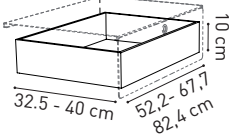



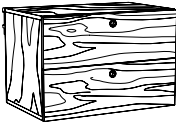
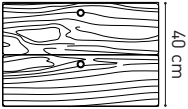
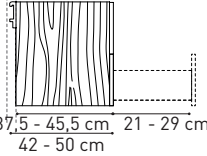
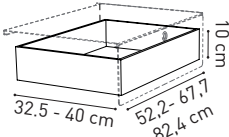


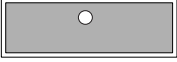
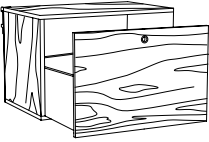
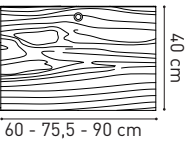
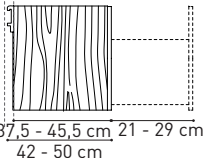
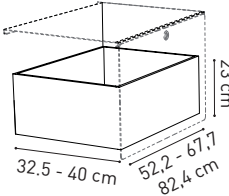


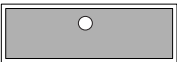
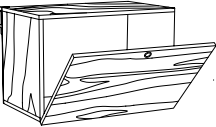

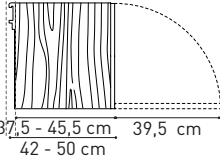
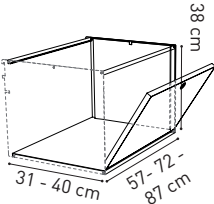




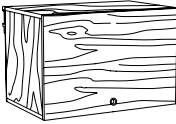
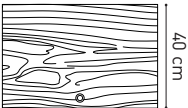
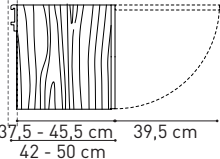
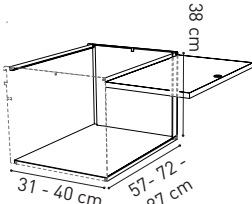



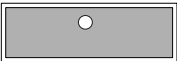


Oak wood



Walnut wood


✂ Other wood finishes are not available.


COMPONENT	MEASUREMENTS	INNER DIMENSIONS	ASSEMBLY	CAPACITY	NOTES AND TIPS												
SINGLE DRAWER 	 20 cm 60 - 75,5 - 90 cm  37,5 - 45,5 cm, 21 - 29 cm 42 - 50 cm	 10 cm 32,5 - 40 cm, 52,2 - 67,7 82,4 cm	 Takes up 4 holes of the upright under the top of the cabinet.	 <table border="1"> <tr> <td>top 60 cm</td> <td>top 75 cm</td> <td>top 90 cm</td> </tr> <tr> <td>13 kg</td> <td>11 kg</td> <td>9 kg</td> </tr> <tr> <td colspan="3">inner drawer</td> </tr> <tr> <td colspan="3">25 kg</td> </tr> </table>	top 60 cm	top 75 cm	top 90 cm	13 kg	11 kg	9 kg	inner drawer			25 kg			A cable hole placed on the back of the cabinet is available on request. 
top 60 cm	top 75 cm	top 90 cm															
13 kg	11 kg	9 kg															
inner drawer																	
25 kg																	
DOUBLE DRAWER 	 40 cm 60 - 75,5 - 90 cm  37,5 - 45,5 cm, 21 - 29 cm 42 - 50 cm	 10 cm 32,5 - 40 cm, 52,2 - 67,7 82,4 cm	Birch plywood inner drawer.  Takes up 7 holes of the upright under the top of the cabinet.	 <table border="1"> <tr> <td>top 60 cm</td> <td>top 75 cm</td> <td>top 90 cm</td> </tr> <tr> <td>13 kg</td> <td>11 kg</td> <td>9 kg</td> </tr> <tr> <td colspan="3">inner drawer</td> </tr> <tr> <td colspan="3">25 kg</td> </tr> </table>	top 60 cm	top 75 cm	top 90 cm	13 kg	11 kg	9 kg	inner drawer			25 kg			A cable hole placed on the back of the cabinet is available on request. 
top 60 cm	top 75 cm	top 90 cm															
13 kg	11 kg	9 kg															
inner drawer																	
25 kg																	
BIG DRAWER 	 40 cm 60 - 75,5 - 90 cm  37,5 - 45,5 cm, 21 - 29 cm 42 - 50 cm	 23 cm 32,5 - 40 cm, 52,2 - 67,7 82,4 cm	Birch plywood inner drawer.  Takes up 7 holes of the upright under the top of the cabinet.	 <table border="1"> <tr> <td>top 60 cm</td> <td>top 75 cm</td> <td>top 90 cm</td> </tr> <tr> <td>13 kg</td> <td>11 kg</td> <td>9 kg</td> </tr> <tr> <td colspan="3">inner drawer</td> </tr> <tr> <td colspan="3">25 kg</td> </tr> </table>	top 60 cm	top 75 cm	top 90 cm	13 kg	11 kg	9 kg	inner drawer			25 kg			A cable hole placed on the back of the cabinet is available on request. 
top 60 cm	top 75 cm	top 90 cm															
13 kg	11 kg	9 kg															
inner drawer																	
25 kg																	
UNIT WITH TOP DOWN DOOR 	 40 cm 60 - 75,5 - 90 cm  37,5 - 45,5 cm, 39,5 cm 42 - 50 cm	 38 cm 31 - 40 cm, 57 - 72 - 87 cm	 Takes up 7 holes of the upright under the top of the cabinet.	 <table border="1"> <tr> <td>60 cm</td> <td>75 cm</td> <td>90 cm</td> </tr> <tr> <td>13 kg</td> <td>11 kg</td> <td>9 kg</td> </tr> </table>  A vertical or a horizontal divider can be added.	60 cm	75 cm	90 cm	13 kg	11 kg	9 kg	A cable hole placed on the back of the cabinet is available on request. 						
60 cm	75 cm	90 cm															
13 kg	11 kg	9 kg															
UNIT WITH A BOTTOM UP DOOR 	 40 cm 60 - 75,5 - 90 cm  37,5 - 45,5 cm, 39,5 cm 42 - 50 cm	 38 cm 31 - 40 cm, 57 - 72 - 87 cm	 Takes up 7 holes of the upright under the top of the cabinet.	 <table border="1"> <tr> <td>60 cm</td> <td>75 cm</td> <td>90 cm</td> </tr> <tr> <td>13 kg</td> <td>11 kg</td> <td>9 kg</td> </tr> </table>  A vertical or a horizontal divider can be added.	60 cm	75 cm	90 cm	13 kg	11 kg	9 kg	A cable hole placed on the back of the cabinet is available on request. 						
60 cm	75 cm	90 cm															
13 kg	11 kg	9 kg															

K1 WOOD CABINETS

✂ Cabinets cannot be custom-made.


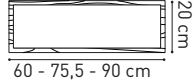
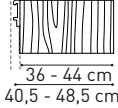
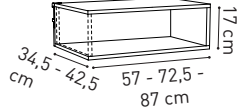



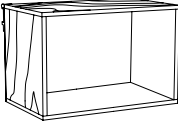
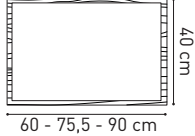
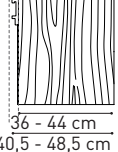
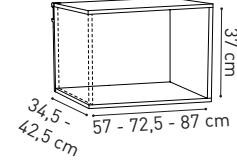



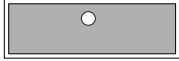
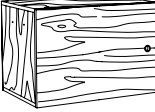
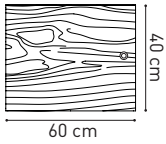
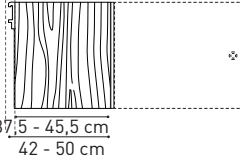
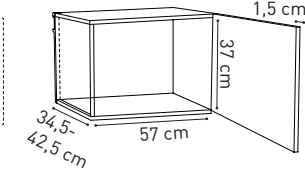




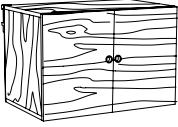
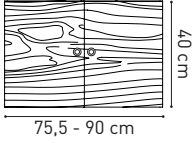
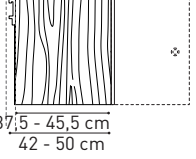
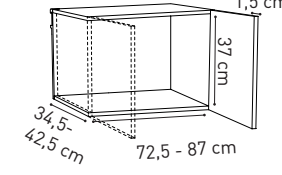



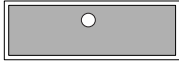
STANDARD FINISH

 Oak wood

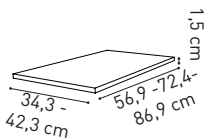
 Walnut wood


Matte white lacquered (only for cabinets with *)

✂ Other wood finishes are not available.

COMPONENT	MEASUREMENTS	INNER DIMENSIONS	ASSEMBLY	CAPACITY	NOTES AND TIPS						
STORAGE UNIT h. 20 cm* 	 60 - 75,5 - 90 cm  36 - 44 cm 40,5 - 48,5 cm	 34,5 - 42,5 cm 57 - 72,5 - 87 cm 17 cm	 Takes up 4 holes of the upright under the top of the cabinet.	 <table border="1"> <tr> <td>60 cm</td> <td>75 cm</td> <td>90 cm</td> </tr> <tr> <td>13 kg</td> <td>11 kg</td> <td>9 kg</td> </tr> </table>	60 cm	75 cm	90 cm	13 kg	11 kg	9 kg	A cable hole placed on the back of the cabinet is available on request. 
60 cm	75 cm	90 cm									
13 kg	11 kg	9 kg									
STORAGE UNIT h. 40 cm* 	 60 - 75,5 - 90 cm  36 - 44 cm 40,5 - 48,5 cm	 34,5 - 42,5 cm 57 - 72,5 - 87 cm 37 cm	 Takes up 7 holes of the upright under the top of the cabinet.	 <table border="1"> <tr> <td>top 60 cm</td> <td>top 75 cm</td> <td>top 90 cm</td> </tr> <tr> <td>13 kg</td> <td>11 kg</td> <td>9 kg</td> </tr> </table>  A vertical or a horizontal divider can be added.	top 60 cm	top 75 cm	top 90 cm	13 kg	11 kg	9 kg	A cable hole placed on the back of the cabinet is available on request. 
top 60 cm	top 75 cm	top 90 cm									
13 kg	11 kg	9 kg									
STORAGE UNIT WITH A SINGLE DOOR 	 60 cm  37,5 - 45,5 cm 42 - 50 cm	 34,5 - 42,5 cm 57 cm 37 cm 1,5 cm	 Takes up 7 holes of the upright under the top of the cabinet.	 <table border="1"> <tr> <td>top 60 cm</td> <td>top 75 cm</td> <td>top 90 cm</td> </tr> <tr> <td>20 kg</td> <td>16 kg</td> <td>12 kg</td> </tr> </table>  A vertical or a horizontal divider can be added.	top 60 cm	top 75 cm	top 90 cm	20 kg	16 kg	12 kg	A cable hole placed on the back of the cabinet is available on request. 
top 60 cm	top 75 cm	top 90 cm									
20 kg	16 kg	12 kg									
STORAGE UNIT WITH A DOUBLE DOOR 	 75,5 - 90 cm  37,5 - 45,5 cm 42 - 50 cm	 34,5 - 42,5 cm 72,5 - 87 cm 37 cm 1,5 cm	 Takes up 7 holes of the upright under the top of the cabinet.	 <table border="1"> <tr> <td>60 cm</td> <td>75 cm</td> <td>90 cm</td> </tr> <tr> <td>20 kg</td> <td>16 kg</td> <td>12 kg</td> </tr> </table>  A vertical or a horizontal divider can be added.	60 cm	75 cm	90 cm	20 kg	16 kg	12 kg	A cable hole placed on the back of the cabinet is available on request. 
60 cm	75 cm	90 cm									
20 kg	16 kg	12 kg									

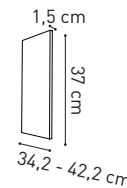
HORIZONTAL DIVIDER



	60 cm	75 cm	90 cm
	20 kg	16 kg	12 kg

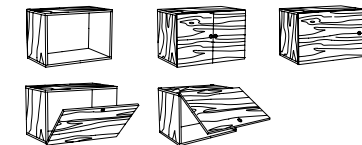
Can be added afterwards and placed at 5 different heights.

VERTICAL DIVIDER



Cannot be added afterwards.

Dividers compatible with the cabinets:

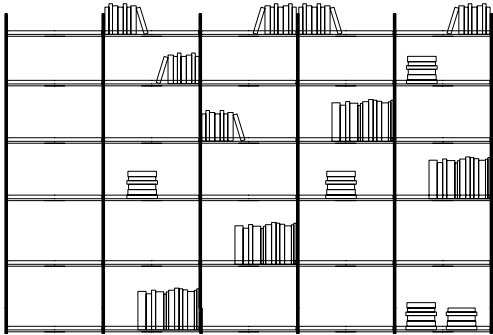


K1 COMPOSITIONS EXAMPLES

Since the K1 is a modular system, each composition is unique and designed according to your needs.

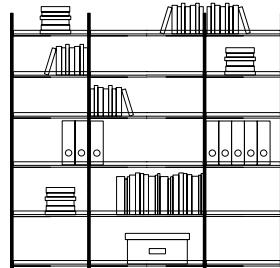
BOOKSHELVES | LARGE UNIT

h. 146 cm | l. 379.5 cm



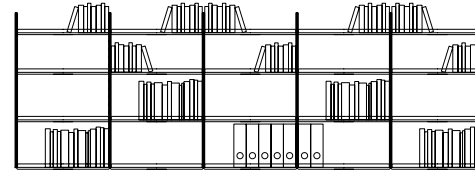
BOOKSHELVES | MEDIUM UNIT

h. 198 cm | l. 212 cm



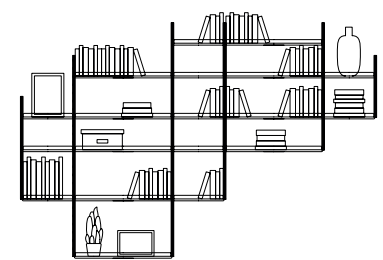
BOOKSHELVES | STRIP UNIT

h. 125 cm | l. 379.5 cm



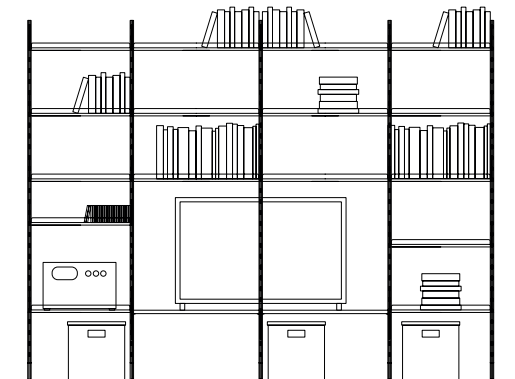
BOOKSHELVES | FREE FORM

h. 170 cm | l. 273 cm



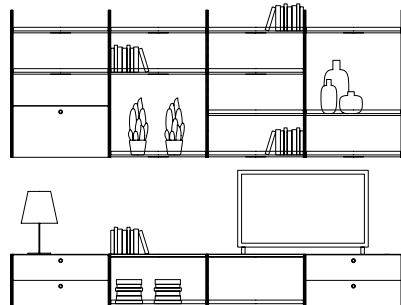
HI-FI AREA | ONE STRUCTURE

h. 200 cm | l. 273 cm



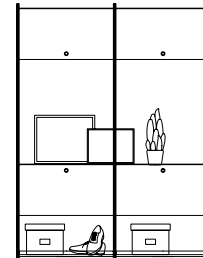
TV AREA | TWO STRUCTURES

upper unit: h. 115 cm | l. 304 cm
lower unit: h. 40 cm | l. 304 cm



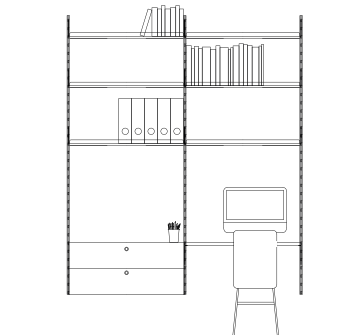
DOORWAY AREA

h. 198 cm | l. 122 cm



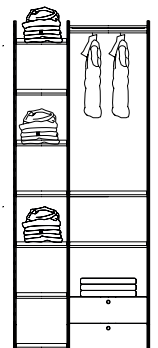
OFFICE AREA

h. 200 cm | l. 273 cm




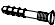


WARDROBE

h. 249 cm | l. 102 cm



K1 HARDWARE

HARDWARE	SCRWING TYPE	LENGTH / HEIGHT	DIAMETER
 Wall plugs	-	40 mm	6 mm
 Wall screwa	Philips / flat head	50 mm	thread: 5 mm / head: 7 mm
 Screws for upright's fixing	Philips / flat head	4 mm	thread: 4 mm / head: 7 mm
 Metal expansion wall plugs	-	40 mm	inner: 4 mm

K1 CLEANING AND CARE TIPS

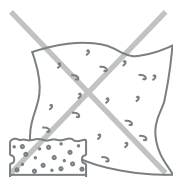
METAL COMPONENTS



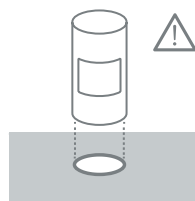
For regular cleaning, use a dish detergent and a wet cloth.



Do not use products that contains acetone, vinegar or ammonia.



Do not use abrasive sponges or cleaning creams that can scratch the surfaces.



Chemical products such as room fragrances can create stains that can permanently damage the surfaces.

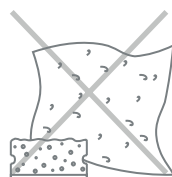
ELEMENTI IN LEGNO



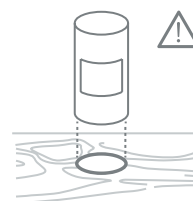
For a regular cleaning use a smooth cloth (wet or dry).



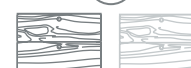
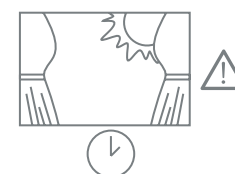
Do not use products that contains acetone, vinegar or ammonia.



Do not use buffers or microfiber clothes that can scratch the surfaces.



Fat stains of vegetal or animal origin and acid liquids such as sodas can permanently damage the surfaces.



Wood is a living material that has natural color and grain variations. Lights and sun rays create color variations over the time.



Surfaces are sealed with a high quality coat. We recommend to not expose the wood components to a too dry or too wet air. Otherwise, and in spite of the coating, the wood pieces could deform.